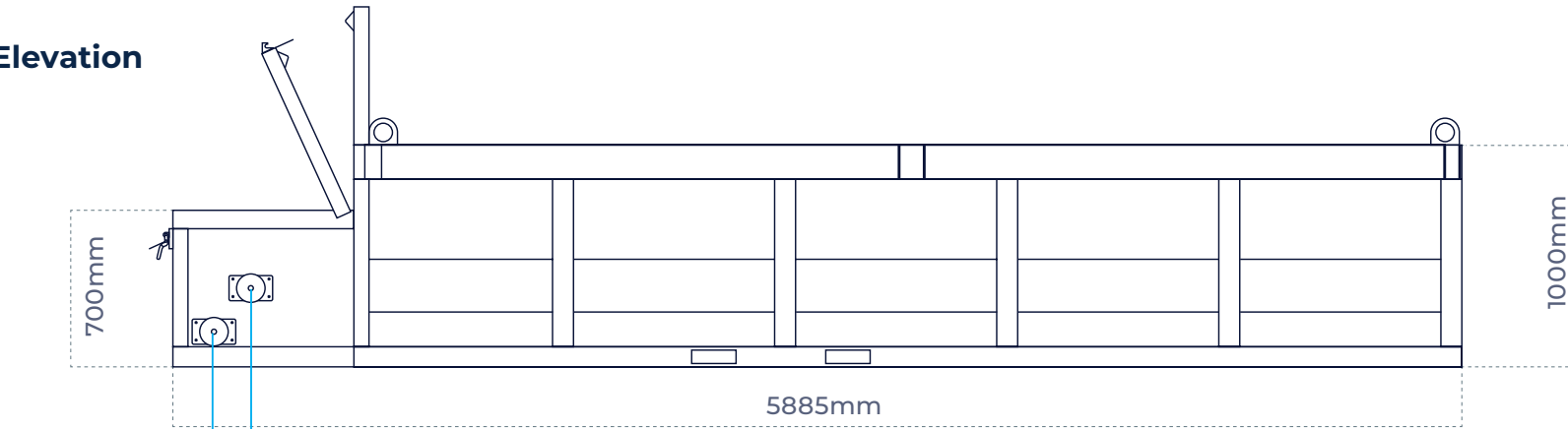
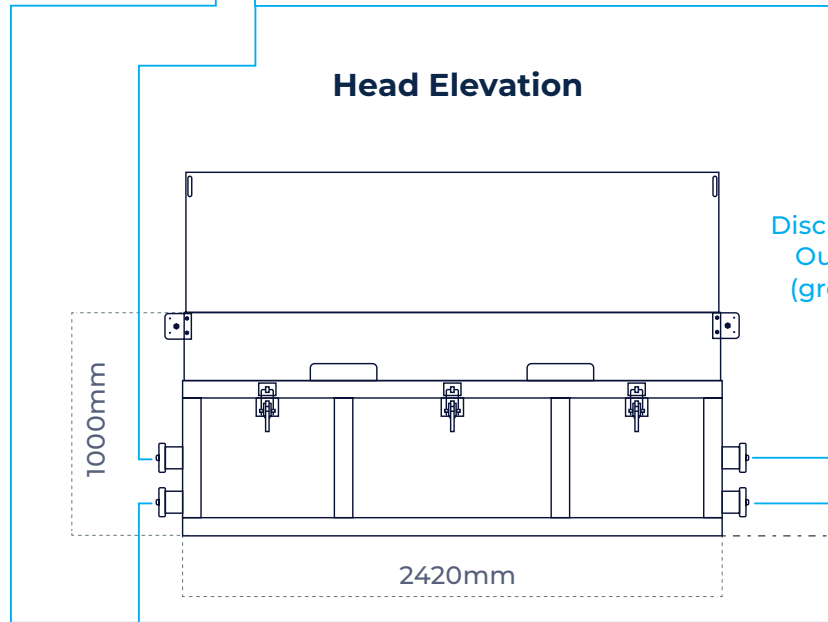


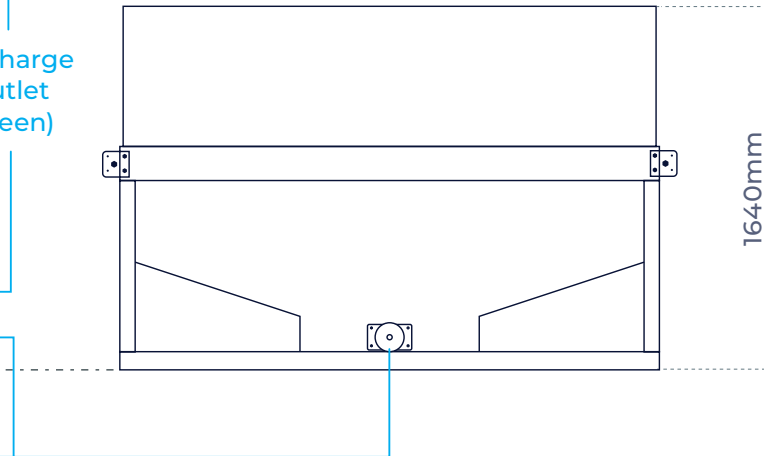
### Side Elevation



### Head Elevation



### End Elevation



**Date:** September 2025

**Full ownership of this design belongs with Forest Drainage Products Ltd and is protected under:**

Patent no. GB2576814 & Design Reg: 006204541-0001

Reproduction, or distribution without prior written consent is prohibited.